



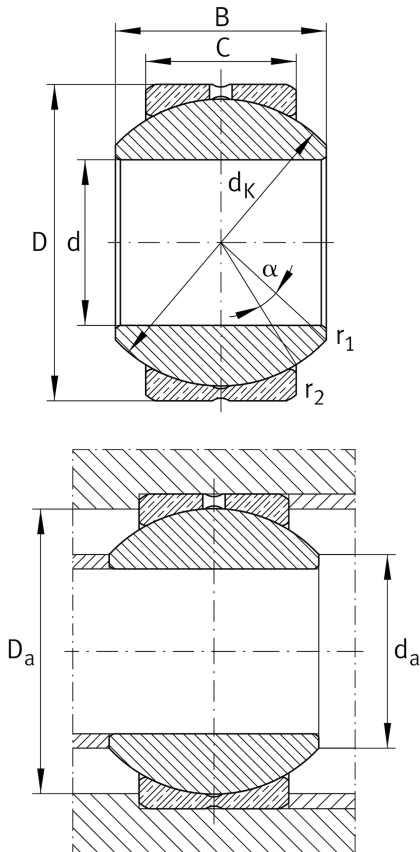
## GE5-PB

### Spherical plain bearing

Schaeffler ID:  
0066525490000

Radial spherical plain bearing, requiring maintenance, sliding contact surface: steel/bronze, DIN ISO 12240-1, dimension series K, open design

#### Technical information



#### Main Dimensions & Performance Data

d	5 mm	Bore diameter bearing
D	13 mm	Outside diameter bearing
B	8 mm	Width Inner ring
C <sub>r</sub>	3,330 N	Basic dynamic load rating, radial
C <sub>0r</sub>	8,330 N	Basic static load rating, radial
	6 g	Weight

#### Mounting dimensions

d <sub>a max</sub>	7.7 mm	Connection measure Inner ring
D <sub>a min</sub>	9.8 mm	Housing Connection Diameter

#### Dimensions

C	6 mm	Width Outer ring
d <sub>K</sub>	11.112 mm	Ball diameter
α	13 °	Tilt angle
r <sub>1smin</sub>	0.3 mm	Edge Spacing
r <sub>2smin</sub>	0.3 mm	Edge Spacing
d <sub>OT</sub>	0.012 mm	Bore diameter bearing, upper tolerance
d <sub>UT</sub>	0 mm	Bore diameter bearing, lower tolerance
d <sub>T</sub>	H7 mm	Bore diameter bearing, tolerance
D <sub>OT</sub>	0 mm	Outside diameter, upper tolerance
D <sub>UT</sub>	-0.008 mm	Outside diameter, lower tolerance
B <sub>OT</sub>	0 mm	Width inner ring, upper tolerance
G <sub>r</sub>	0,006 - 0,035 mm	Radial Clearance
B <sub>UT</sub>	-0.12 mm	Width inner ring, lower tolerance
C <sub>OT</sub>	0 mm	Width outer ring, upper tolerance

#### Temperature range

T <sub>min</sub>	-60 °C	Operating temperature min.
T <sub>max</sub>	250 °C	Operating temperature max.